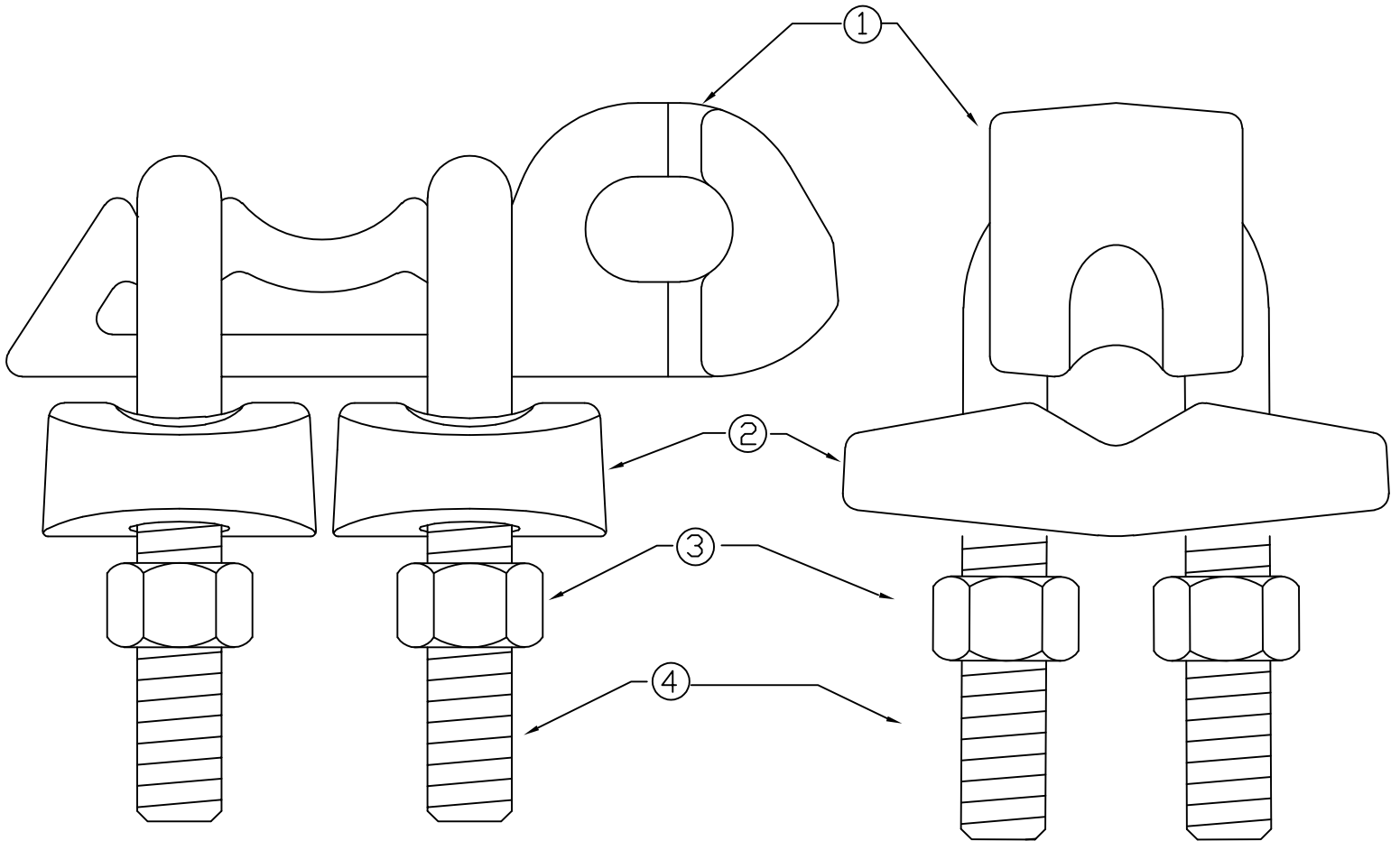


ITEM #	PART #	CATALOG #	DESCRIPTION	QTY	DWG
1	P64424C	>AE-155-B	AE-155 BODY	1	PB-849
2	P64425C	>AE-155-C	AE-155 CAP	2	PB-1276C
3	P56137	H-0400-04	1/2" HEX NUT	4	HA-400
4	P61296	M-201-35	1/2" U-BOLT	2	MA-201



SIDE VIEW

FRONT VIEW

PROPRIETARY

This information is confidential and is the property of Continental Electric Company, a Corporation. It is for the use of customers only and may not be made public, distributed or loaned to others, or any part reproduced without the written consent of Continental Electric Co. except that the customer may make copies for use solely in the installation, maintenance, and operation of products supplied by Continental Electric Company.

MACLEAN POWER SYSTEMS

BIRMINGHAM, ALABAMA

A MacLean Power Systems Co.

CATALOG NUMBER: AE-155
 AUXILIARY ANCHOR EYE
 FOR 5/8"-3/4" ANCHOR RODS

NO.	DATE	DESCRIPTION	BY	DATE:	SCALE:	NO.	R/	SH.1
				8/03/22	NONE		0	OF 1
				DWN. BY: KK	CHKD. BY:	APR. BY:		
CEA-1010-1								